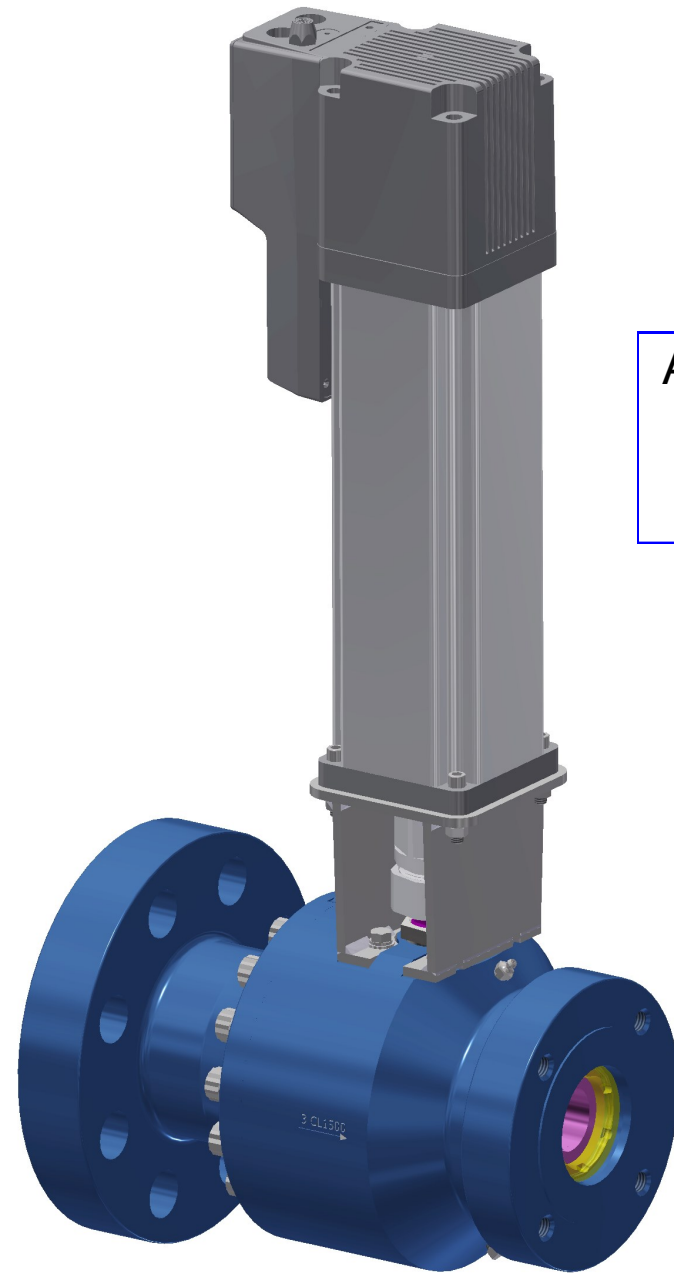


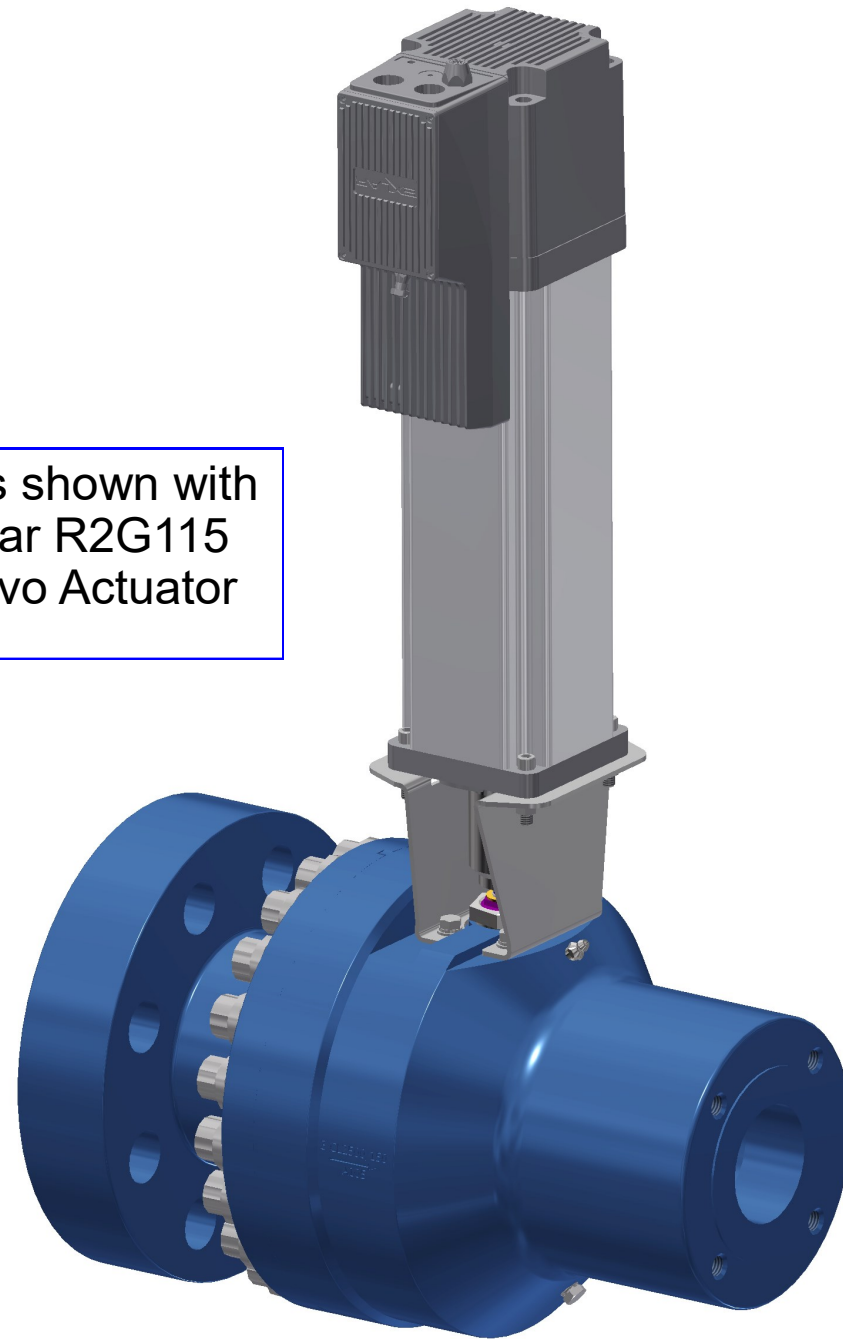
# Atlas

## SEVERE SERVICE CONTROL VALVES

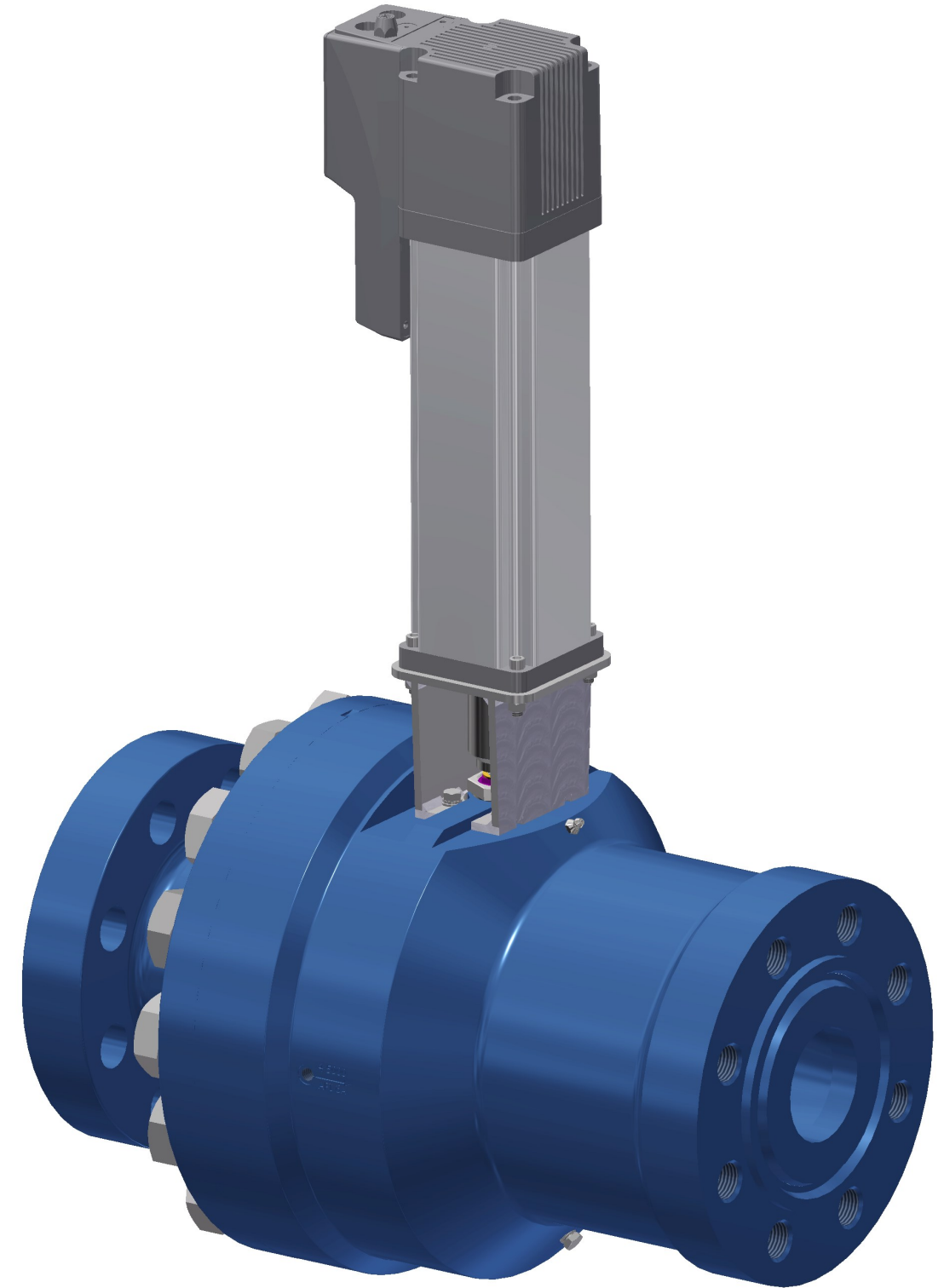
Atlas shown with  
Exlar R2G115  
Servo Actuator



**Atlas 15**  
3" CL 1500 Intake  
3" CL 150 Discharge RF  
Flanged  
Flow Coefficient: 70 C<sub>v</sub>



**Atlas 21**  
3" CL 2500 Intake  
3" CL 150 Discharge RF  
Flanged  
Flow Coefficient: 130 C<sub>v</sub>



**Atlas 32**  
4-1/16 API 6A Type 6B  
34.5MPa/5000  
RJ Flanged  
Flow Coefficient: 300 C<sub>v</sub>

